

AURORAS

Excellence of Sustainable Energy

ECO SOLARIS
ENERGIA VIITORULUI ACUM LA TINE ACASA

VENUS

SOLAR FLOOD LIGHT
with motion sensor



Auroras Profile

Auroras is an innovative manufacturer accredited by ISO9001, ISO14001, ISO45001, and BSCI management and quality system etc. Auroras is dedicated and positioned to supply unique aesthetic, durable quality solar lights for the commercial market and high-end distribution markets. Since established in 2013, Auroras has been investing a lot of cost per year on new products development. Auroras is the pioneer in the solar lighting industry and leading the market trend in product design concepts and quality standards.



- In 2016, Auroras is the first company who released HELIOS all-in-two solar street lights in the world and successfully won the contract of UNHCR for 3 years.
- In 2017, Auroras is the first company that released all-in-one solar batten light in the world and defined what is solar led batten light in google search
- In 2018, Auroras released the THOR all-in-two solar street light who build in the biggest battery 2160WH in the world.
- In 2019, Based on future vision & forecast, , Auroras released the vertical solar street light system which is a the revolutionary design of solar lighting market.

In the same year, auroras won the contract from 43 competitors to supply vertical solar street light to 2019 Southeast Asian Games .

- In 2020, Auroras released the Athena solar pedestrian light which exceeded the quality and design expectations of customers for solar light. It gains lots of ultra-high praise.
- In 2021, Auroras won the project to supply solar lights to DUBAI EXPO 2020

Quality Quality

Auroras is aware of the importance of the quality position since the first day when established. Different from the very regular products on market, All auroras' products are developed with a distinct aesthetic look and durable components with high specification performance. Quality is positioned on premium quality which is able to satisfy professional clients.

Marketing Philosophy

Establishing strong & long-term relationships with clients as partners in the pursuit. Auroras is aimed to build a network of agents & distributors globally. Auroras has the strict principle whose purpose is to protect customers' rights and benefits. It takes a long time and lots of effort to promote new products to market which is performed on the basis of customers' trust in Auroras.



مجلس أبوظبي للجودة والمطابقة
ABU DHABI QUALITY AND CONFORMITY COUNCIL



Products Certificates

Auroras Innotech is certified by ISO9001, ISO14001, ISO45001 and accredited by BSCI. Products are certified by CE, ROHS, CB, IECEE, LM79, LM80, TM21 , and IK tests etc. Auroras products obtain most of the certificates to meet the demand of high-end projects.

ADQCC Approval

Abu Dhabi Quality and Conformity Council has launched the Trustmark (Abu Dhabi Trustmark) which indicates product's compliance with safety, environmental and performance standards, in addition to administrative and production systems compliance with the conformity Program. In 2022 April, Auroras's products are finally approved by ADQCC and authorized with AD mark.

Auroras
Products+



VENUS

SOLAR FLOOD LIGHT with motion sensor

VENUS solar flood light was developed to satisfy the demand of premium customers who are caring about the quality, not limited the finishing of lights, but also the aesthetic appearance, battery stability, lighting efficiency, also convenient operation, and motion sensor detection.

VENUS solar-led floodlight adopts the latest technology of control system to balance between the solar panel, lithium battery. The brand new lithium battery is built inside to store the energy to extend the light lifetime up to 10 years. The quality solar panel is able to charge the battery well even during very challenging days no matter in cloudy days or wintertime, ensure to provide continuous lighting service without blackout.

Microwave motion sensor function could be turned ON/OFF freely via 2.4G remote control, The popular lighting programs are built in to allow users to select easily, what's more, the light also can work at day time when the battery is charging by the solar panel. One 2.4G remote control would control all the lights in the same group within 20 meters.

VENUS will be the perfect solar light to expand your business.



Main Features

Our research in 2020 has shown all customers positively believe there is a huge demand for a high-quality solar flood light in their local market. More than 90% of customers are unsatisfied with the quality of the existing solar flood lights on the market. The VENUS solar flood light is specially developed with its clear and high-quality positioning to satisfy all the expectations of premium customers. Different from models on market, VENUS solar flood light is making a lot of improvements:

- > Equipped with brand new lifepo4 battery instead of recycled ones from E-vehicles.
- > Equipped with 2.4G remote with 360° signal transmission, more sensitivity and longer distance
- > Equipped with microwave sensor, multi-lighting functions optional.
- > Equipped with the highest lighting efficiency LED chip up to 200lm/w max.
- > Equipped with a separated adapter cable for more easier connection.
- > Equipped with stainless steel ON/OFF button.
- > Improved installation method of solar panel, more user-friendly installation.



Key Components



2.4G remote control

Long distance with 360 degrees signal transmission, one remote can control multi solar lights at same time in same area.



lifepo4 battery

Brand new, ultra long lifetime, big capacity of LifePO4 battery pack is built inside guarantees system to work stably



adapter cable

Individual 4.5 meters cable to connect solar panel and light fixture, It makes the installation more easier and flexible



switch button

Stainless steel button with rubber cap covered is adopted for easy operation.



motion sensor

Built in motion sensor program. off+100% power for 1 minute, or 30%+100% power when sensor is triggered.



woven glass

Lighting performance is becoming more uniformed with 4.0mm woven glass, and makes lights look more elegant.



indicator light

Different color of indicator lights shows the rest battery capacity, Convenient for maintenance.



bracket cap

Bracket is stronger with cap, easy to adjust the angle and more aesthetic.

Detailed Specification



Environmental Protection



Remote Setting



2000 Cycles LifePO4 Battery



Electricity Bills free



High luminous efficiency



30%+100%

Motion Sensor Detection



ON - OFF

Dusk to Dawn Auto ON/OFF



IP 65

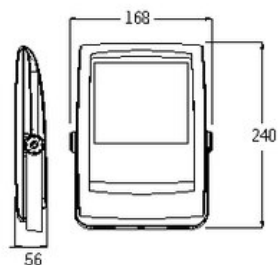
IP65 Waterproof

Model	V2-PRO	V4-PRO	V6-PRO	V8-PRO
Luminous flux (max)	880lm max	1,280lm max	2,480lm max	3,280lm max
Led power (max)	4.8W max	9.0W max	13.5W max	18.5W max
Fixture dimension	240*168*56mm	305*235*56mm	375*275*56mm	375*275*56mm
Solar panel	12W 10V	25W 10V	35W 10V	50W 10V
Lithium battery	6.4V 38.4WH	6.4V 76.8WH	6.4V 115WH	6.4V 154WH
Fixture color	White / Grey / Black			
Color temperature	3000K / 4000K / 6000K			
Housing material	Aluminium die casting			
Remote control	2.4G radio remote			
Charging time	4.5 hours			
Discharging time	>15 hours			
Working temp.	-15°C ~ +70°C			
Connect cable	4.5 meters			
IP rate	IP65			
Certificates	CE ROHS, CB			
Packing Information				
Carton Size	52*40*38cm	54*40*49cm	64*28*42cm	64*30*42cm
Quantity / Carton	6 sets	4 sets	2 sets	2 sets
Net Weight	17.80kg	18.80kg	14.50kg	16.30kg
Gross Weight	19.20kg	20.30kg	15.60kg	17.80kg
Solar panel+light in one box	Yes	Yes	Yes	Yes

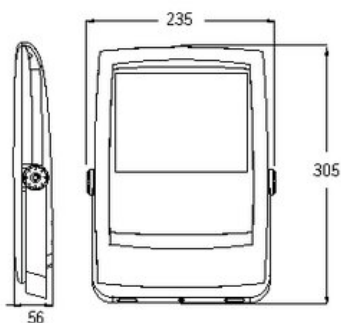
Dimension



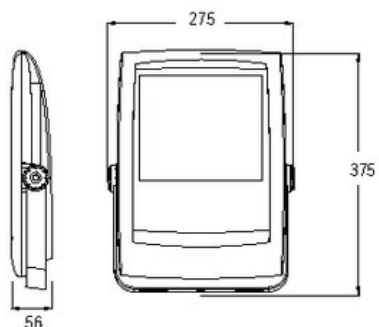
V2-PRO



V4-PRO



V6-PRO



Application

- * Temporary Tent Lighting
- * Pathway Lighting
- * Warehouse Lighting
- * Refugee Tent Lighting
- * Construction Site Lighting
- * Bus Station Lighting
- * Emergency Lighting
- * Garden Lighting
- * Hotel Lighting
- * Horse Stable Lighting



Lighting Area

Model	Luminous flux	Lighting area
V2-PRO	880lm	12 ~ 20 m ²
V4-PRO	1680lm	20 ~ 35 m ²
V6-PRO	2480lm	35 ~ 45 m ²
V8-PRO	3280lm	45 ~ 60 m ²



More Products



Athena



Helios



Venus



Titan



SolarWrap



Apollo



Solmate



Ares




Auroras Innotech (GuangDong) Co., Ltd

 Website :
www.auroraslighting.com

 Email :
Sales06@auroraslighting.com

 WhatsApp :
+86 185 0756 4132

 Telephone :
+86 0756-8530887 / 8530371
0760-86687850 / 86687851

 Head office : 2/F 617# HuaYu Road, XiangZhou District, Zhuhai, GuangDong, China 519000
Sub-factory : 2/F, B# Bldg.1# Dongcheng road, SanXiang GuangDong CHINA 528463
Dubai office : Al quoz industrial area 4 . 318th road P.O. Box: 118023, Dubai, U.A.E



ECOSOLARIS - Sisteme de iluminat solar inteligent

www.ecosolaris.ro Tel: +40 728 022 022 / +40 771 599 006

Email: oferta@ecosolaris.ro Sos. de Centura DNCB nr. 27, Ilfov

Pret la cerere - solicitati oferta pe www.ecosolaris.ro