





APOLLO

Solar LED Batten Light

APOLLO solar batten light is designed and dedicated to provide constant high bright lighting performance. The luminaire is integrated with big capacity LiFePO4 battery and charge controller as well as microwave sensor. It is good answer to a vast solar lighting application in urban and rural living. It can be perfectly used for many lighting applications like garage, warehouse, caravan, car parking, refugee tents, camping tent, mines etc.

The easy MC4 plug in set up makes the light extremely easy for installation and portability. Distance from solar panel to light is up to 30 meters, it makes installation very flexible. Built with high quality components, APOLLO solar batten light (You can also call it as solar carport light or solar led tri proof light) can meet project requirements as well in any challenging environments. APOLLO batten light is able from 12 watts to 24 watts.

Solar LED Batten Light



IP65 Weather Proof

Designed for outdoor application. Good to used any places like shelters, bus stations, warehouse etc.



Motion Detection

Built in motion sensor function to save more energy for the area where there is weak solar radiation.



Automatic ON/OFF

Lights automatically turn on/off from dusk to dawn, no manual operation required



Designing Concept

Athena solar garden light is designed with an aesthetic appearance, simple slim curvy with modern look.



Quality Positioning

Especially designed for high-end customers with stable quality, smooth and high brightness performance.

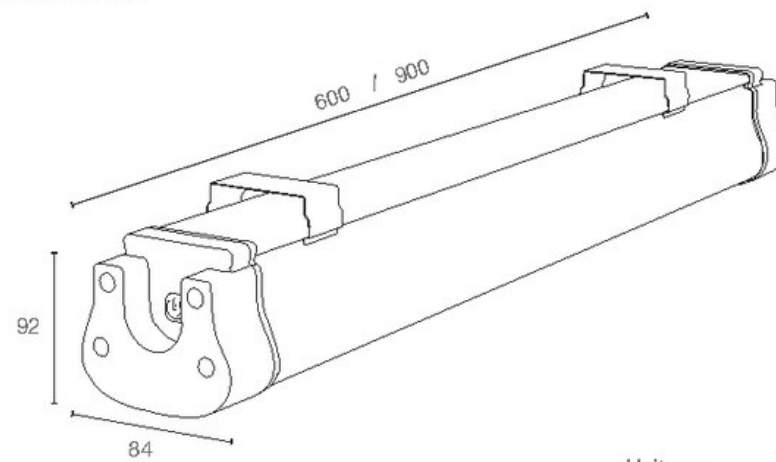


Easy Installation

Apollo adopts very neat and compact design, customer only need to plug solar light to solar panel by



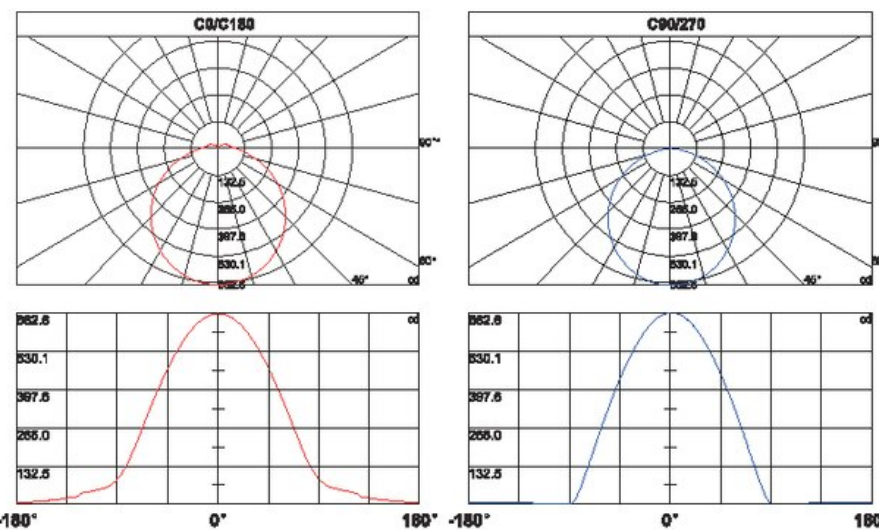
Product Size



Unit: mm

Main Specification

Model Name	A1-X2200	A1-X4200
LED source	18W SMD5730	36W SMD5730
Luminous flux	2.200lm max	4,200lm max
Color temperature	3000K/4000K/6000K	3000K/4000K/6000K
Dimension	92*84*600mm	92*84*900mm
Solar panel	50W 18V	80W 18V
Lithium battery	12.8V 12AH 154WH	12.8V24AH 307WH
Solar charge controller	PWM	PWM
Charge & discharge time	5 hours / 24 hours	-
Working temp.	-20°C~60°C	-
Motion sensor	Microwave sensor	-
IP & IK Raterate	IP67 IK10	-
Housing materials	Aluminium alloy + polycarbonate	-
Cable length	5 meters/customzied	-
Warranty	3 years	-
Certificates	CE ROHS IP65	-



Installation Reference



APOLLO

Solar LED Batten Light

AUROSAS

Excellence of Sustainable Energy



ECOSOLARIS - Sisteme de iluminat solar inteligent

www.ecosolaris.ro Tel: +40 728 022 022 / +40 771 599 006

Email: oferta@ecosolaris.ro Sos. de Centura DNCB nr. 27, Ilfov

Pret la cerere - solicitati oferta pe www.ecosolaris.ro